



Function: Used as a parapet overflow or at the base of a wall where a concealed leader discharges rainwater to ground. Nozzle design diverts water away from building, eliminating wall stains. Wall flange covers rough opening.

Contact: Mr. Li Zhiyong (Owner)

Mobile(Whatsapp): +86-13467138000

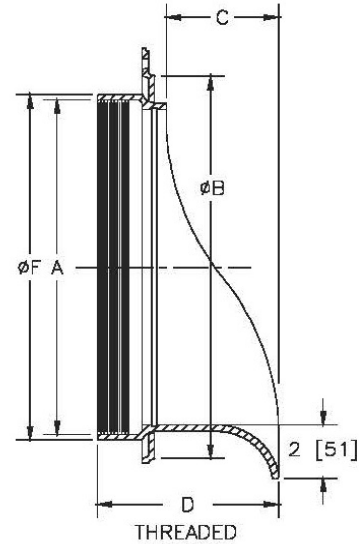
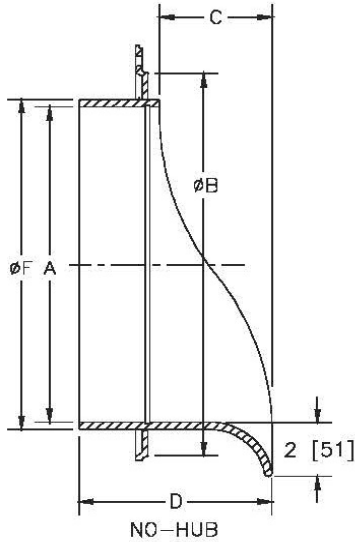
Skype: qslizy

E-mail: qscasting@126.com

www.qiaoshan.co



DN101



Dimensions in inches [mm]							Approx. Wt. Lbs. [kg]
A- Pipe Size	B	C	D		F		
			IP / PVC	NH	IP / PVC	NH	
2 [51]	4-1/2 [114]	2-5/8 [67]	4-1/2 [114]	4-1/2 [114]	2-13/16 [71]	2-3/8 [60]	5 [2]
3 [76]	5-1/2 [140]	2-5/8 [67]	4-1/2 [114]	4-1/2 [114]	3-15/16 [100]	3-3/8 [86]	6 [3]
4 [102]	6-5/8 [168]	2-43/64 [69]	4-1/2 [114]	4-1/2 [114]	4-15/16 [125]	4-3/8 [121]	7 [3]
5 [127]	7-5/8 [194]	3-1/16 [78]	4-59/64 [125]	5-15/32 [139]	6-1/16 [154]	5-5/16 [135]	12 [5]
6 [152]	8-5/8 [219]	3-3/32 [79]	4-59/64 [125]	5-15/32 [139]	7-1/8 [181]	6-5/16 [160]	13 [6]
8 [203]	10-5/8 [270]	2-31/32 [75]	4-59/64 [125]	5-25/32 [147]	9-1/8 [232]	8-3/8 [213]	14 [6]
10 [254]	12-5/8 [321]	3-1/2 [89]	5-53/64 [148]	6-5/16 [160]	11-5/32 [283]	10-9/16 [268]	15 [7]
12 [305]	14-5/8 [371]	4-5/64 [104]	6-13/32 [163]	6-57/64 [175]	13-5/32 [334]	12-1/2 [318]	18 [8]

Materials:

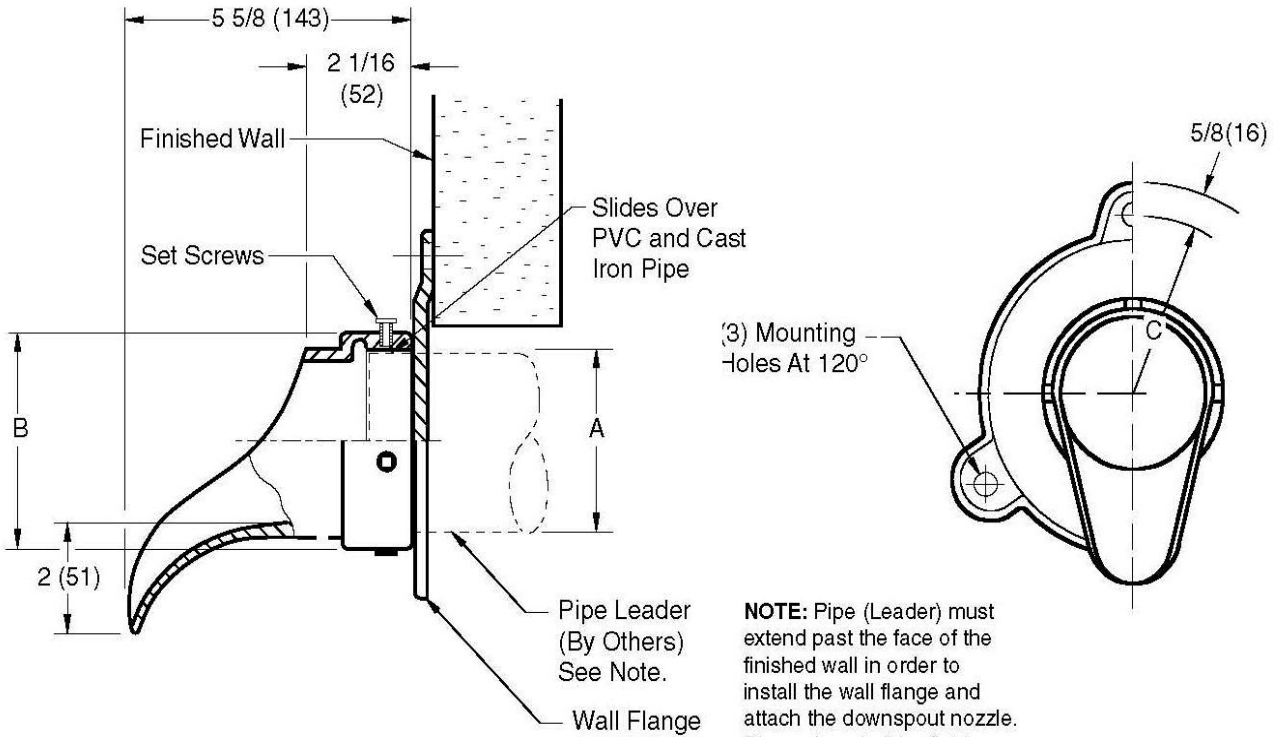
All nickel Bronze Body

All Polished Bronze Body

All Plain Bronze Body



DN102



NOTE: Dimensions shown in parentheses are in millimeters.

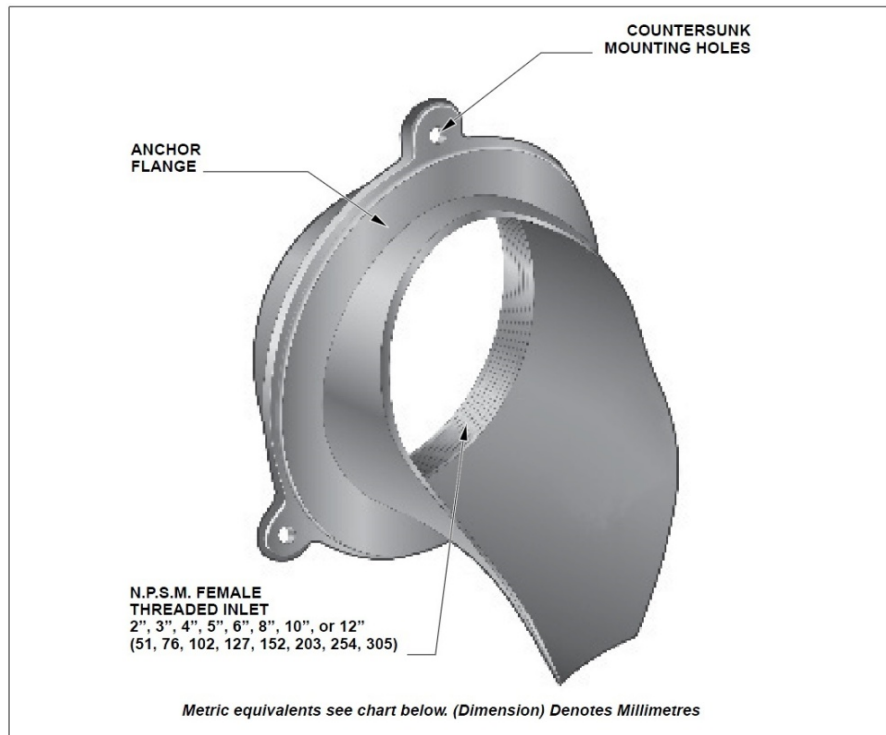
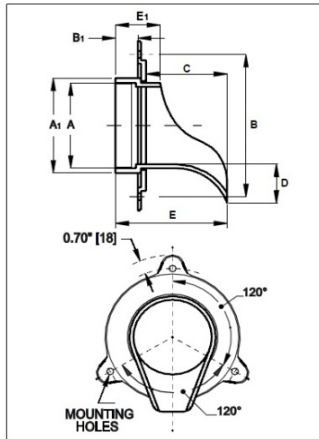
A = Pipe Size	02 (50)	03 (75)	04 (100)	05 (125)	06 (150)	08 (200)	10 (250)	12 (305)
B = DIA	2 3/4 (70)	4 (100)	5 (125)	6 (150)	7 1/4 (185)	9 1/4 (235)	11 1/8 (283)	13 1/4 (335)
C = RAD	2 3/4 (70)	3 1/2 (89)	3 7/8 (98)	4 3/8 (111)	5 (125)	5 7/8 (149)	7 1/4 (185)	8 (205)

Materials:

- All nickel Bronze Body**
- All Polished Bronze Body**
- All Plain Bronze Body**



DN103



Metric equivalents see chart below. (Dimension) Denotes Millimetres

MODEL NO.	PIPE SIZE - A	A ₁	B	B ₁	C	D	E	E ₁
○ DN1032	2" (51)	3.90"(100)	6.40"(163)	1.00"(25)	4.50"(114)	2.00" (51)	5.75" (146)	2.10" (53)
○ DN1033	3" (76)	3.90"(100)	6.40"(163)	1.00"(25)	4.50"(114)	2.00" (51)	5.75" (146)	2.10" (53)
○ DN1034	4" (102)	4.90"(124)	7.40"(188)	1.15"(29)	4.00"(102)	2.00" (51)	5.50" (140)	2.10" (53)
○ DN1035	5" (127)	7.10"(180)	9.40"(239)	1.15"(29)	4.50"(114)	2.50" (64)	5.75" (146)	2.10" (53)
○ DN1036	6" (152)	7.10"(180)	9.40"(239)	1.15"(29)	4.50"(114)	2.50" (64)	5.75" (146)	2.10" (53)
○ DN1038	8" (203)	9.10"(231)	11.40"(290)	1.15"(29)	4.50"(114)	2.50" (64)	5.75" (146)	2.65" (67)
○ DN10310	10" (254)	11.20"(284)	13.40"(340)	1.35"(34)	4.50"(114)	2.50" (64)	5.75" (146)	2.65" (67)
○ DN10312	12" (305)	13.10"(334)	14.63"(372)	1.35"(34)	4.50"(114)	2.50" (64)	6.56" (167)	2.65" (67)

All Stainless Steel 304, 316